

Technical Specification

P/N:DS-3600

Frequency Range(GHz)	0.03 - 6.0
Gain(dBi)	6 Typ.
Polarization	Linear
3dB Beamwidth(deg)	360 - 40
VSWR	5.0:1 Typ.(0.03-0.1GHz)
	1.5:1 Typ./2.0 Max(0.1-6.0GHz)
Output	N-Female
Average Power(W CW)	300 (80 @ 6.0GHz)
Peak Power(KW)	3
Material	Al
Size(mm)	1734 x 758 x 1475
Net Weight(Kg)	3.20 Around

P/N:DS-3600C

Frequency Range(GHz)	0.03 - 6.0
Gain(dBi)	6 Typ.
Polarization	Linear
3dB Beamwidth(deg)	360 - 40
VSWR	5.0:1 Typ.(0.03-0.1GHz)
	1.5:1 Typ./2.0 Max(0.1-6.0GHz)
Output	N-Female
Average Power(W CW)	300 (80 @ 6.0GHz)
Peak Power(KW)	3
Material	Al
Size(mm)	1734 x 758 x 1475
Net Weight(Kg)	3.20 Around

P/N:DS-3600E

Frequency Range(GHz)	0.03 - 6.0
Gain(dBi)	6 Typ.
Polarization	Linear
3dB Beamwidth(deg)	360 - 40
VSWR	5.0:1 Typ.(0.03-0.1GHz)
	1.5:1 Typ./2.0 Max(0.1-6.0GHz)
Output	N-Female
Average Power(W CW)	300 (80 @ 6.0GHz)
Peak Power(KW)	3
Material	Al
Size(mm)	1734 x 758 x 1651
Net Weight(Kg)	4.5 Around

AINFO Inc.

Page 1 of 9

China(Beijing):
China(Chengdu):
USA :

Tel: (+86) 10-6266-7326,
Tel: (+86) 28-8519-2786,
Tel: (+1) 949-639-9688,

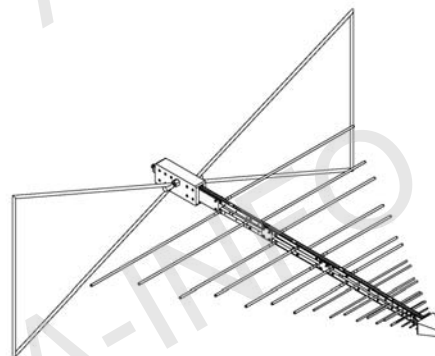
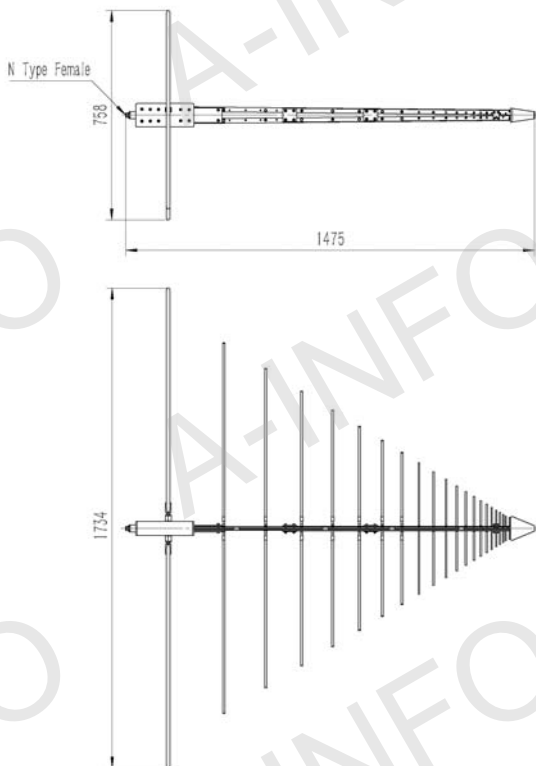
(+86) 10-6266-7327
(+86) 28-8519-3044
(+1) 949-639-9608

Fax: (+86) 10-6266-7379
Fax: (+86) 28-8519-3068
Fax: (+1) 949-639-9670

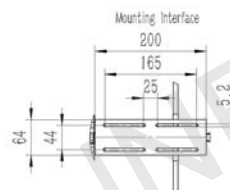
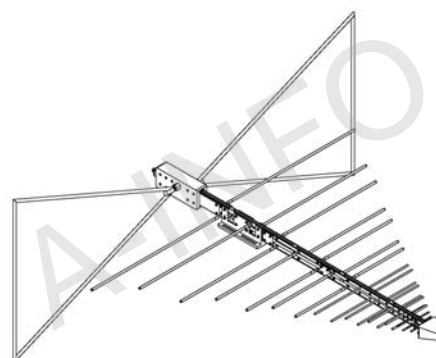
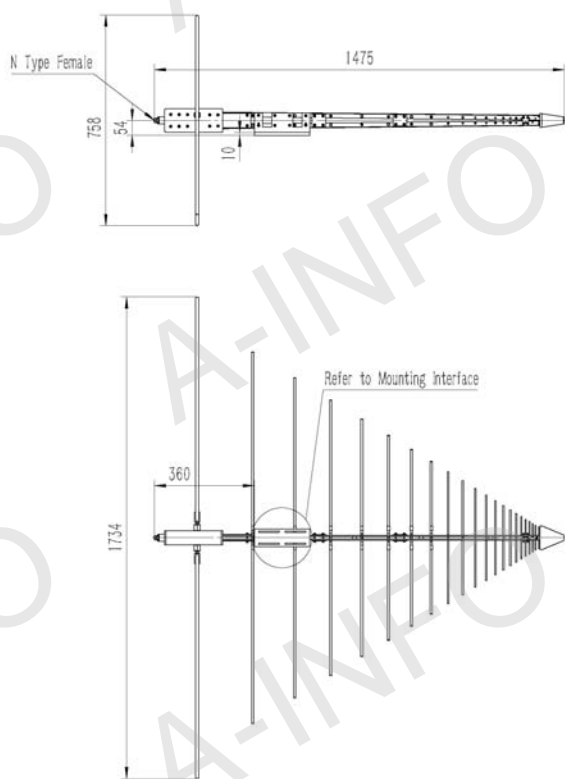
Website: www.ainfoinc.com
Email: sales@ainfoinc.com

Outline Drawing (Size: mm)

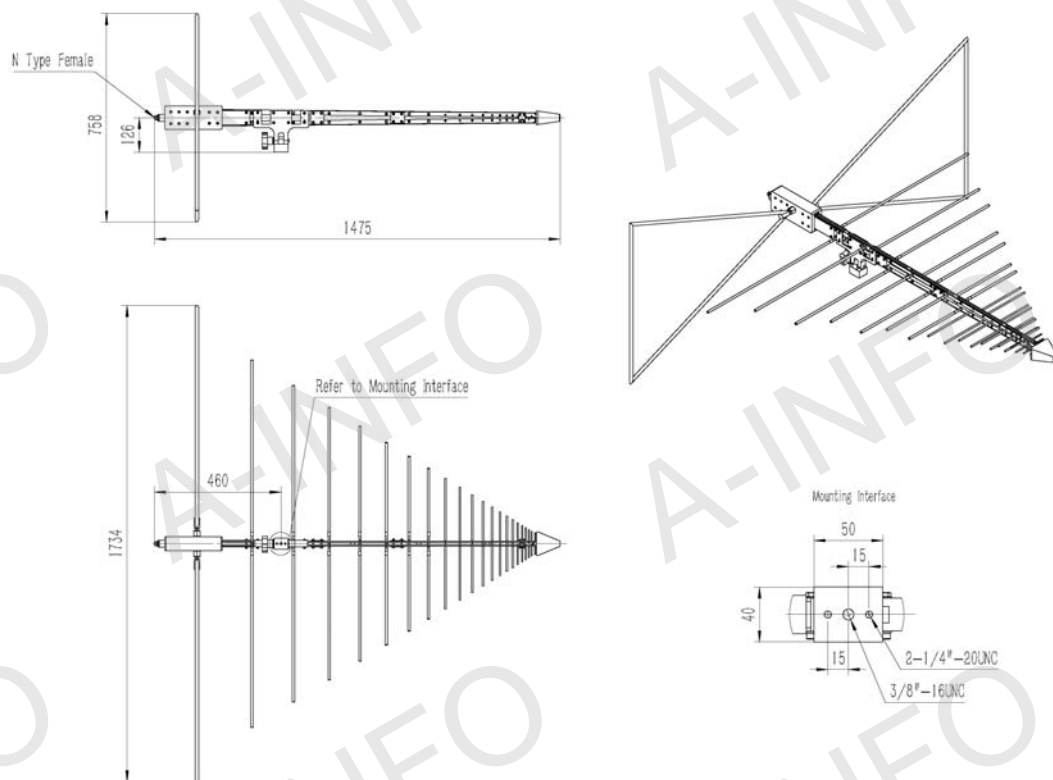
DS-3600 (P/N: DS-3600)



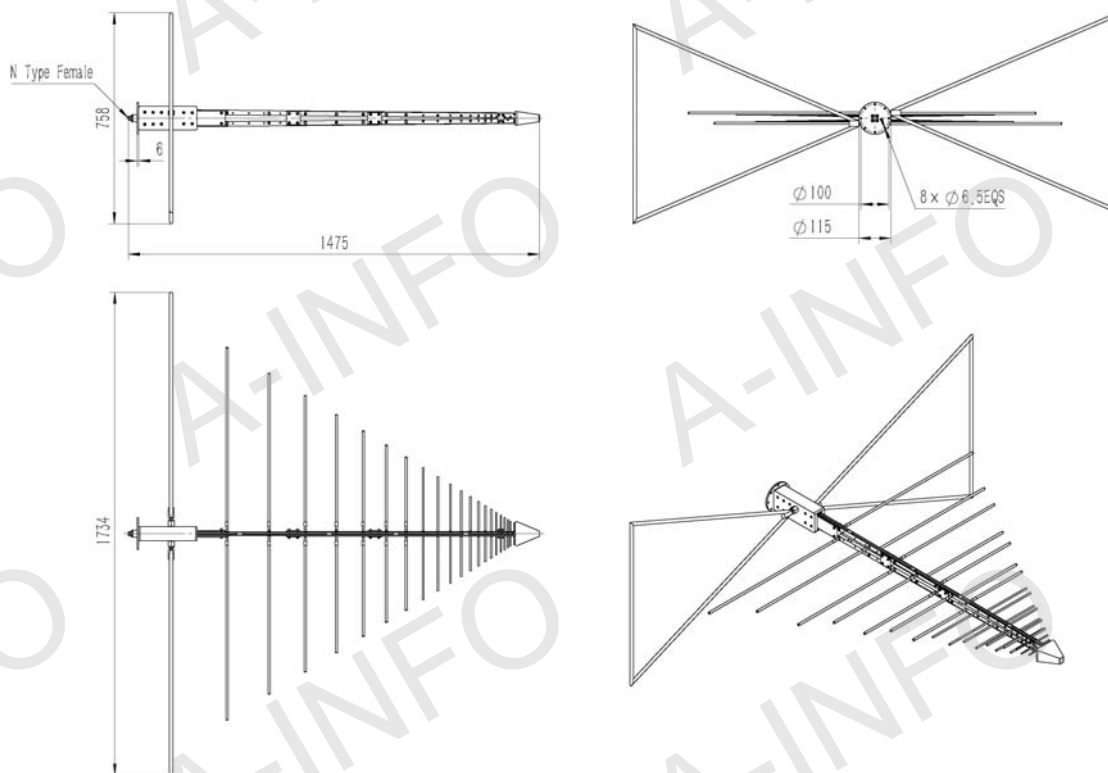
DS-3600 with Mounting Bracket (Option, P/N: DS-3200-MB)



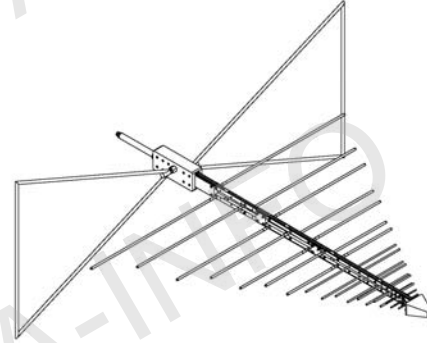
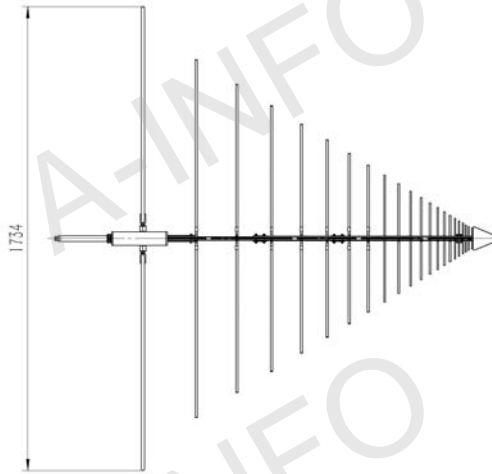
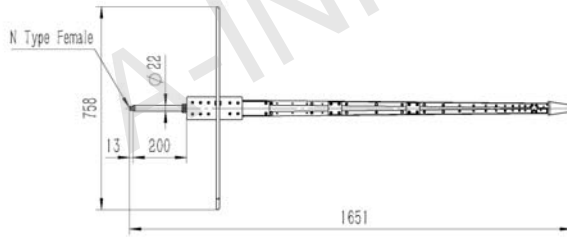
DS-3600 with Mounting Bracket for Tripod Application (Option, P/N: DS-3200-MBA)



DS-3600C (P/N: DS-3600C)

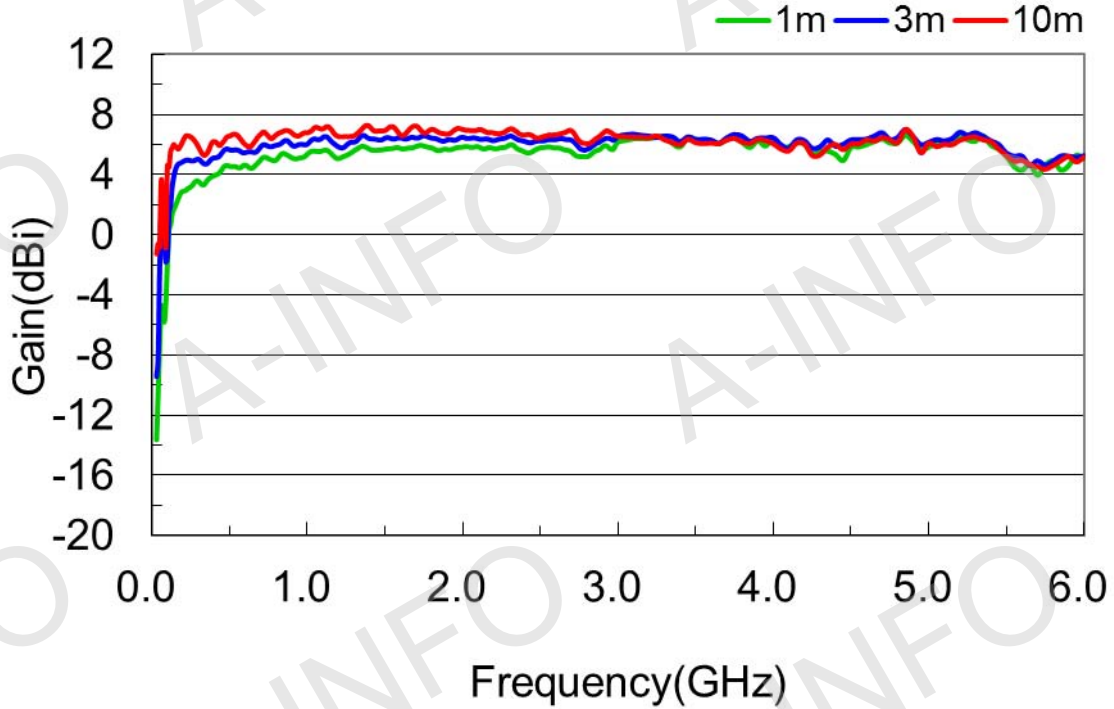


DS-3600E (P/N: DS-3600E)

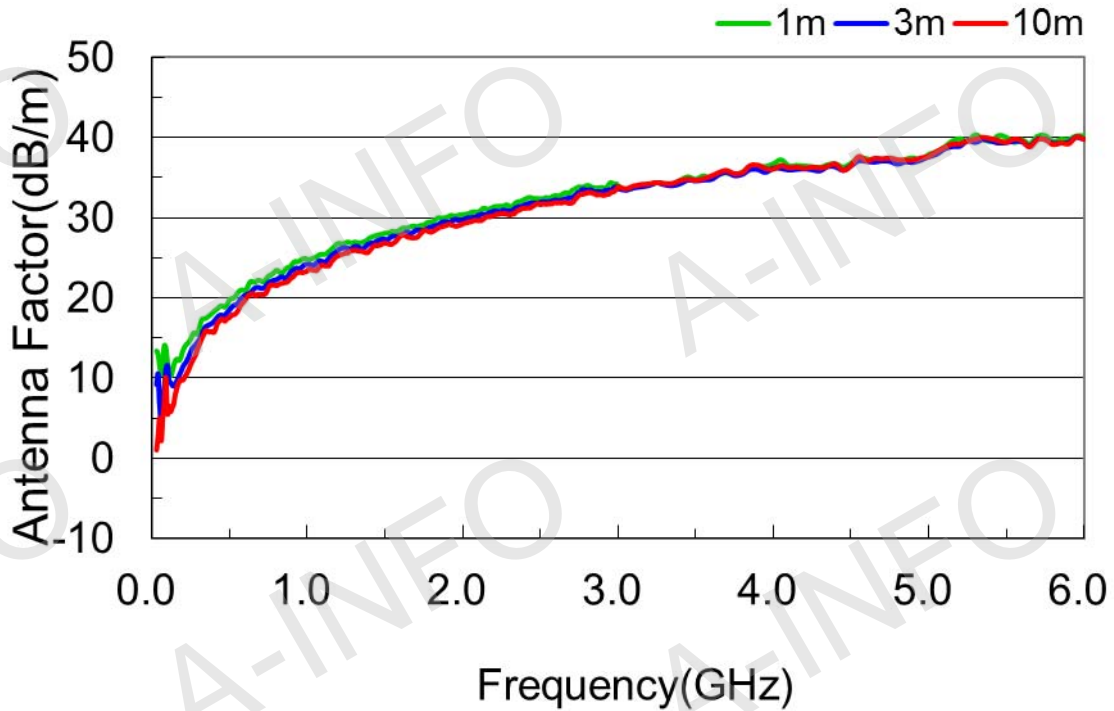


Test Results

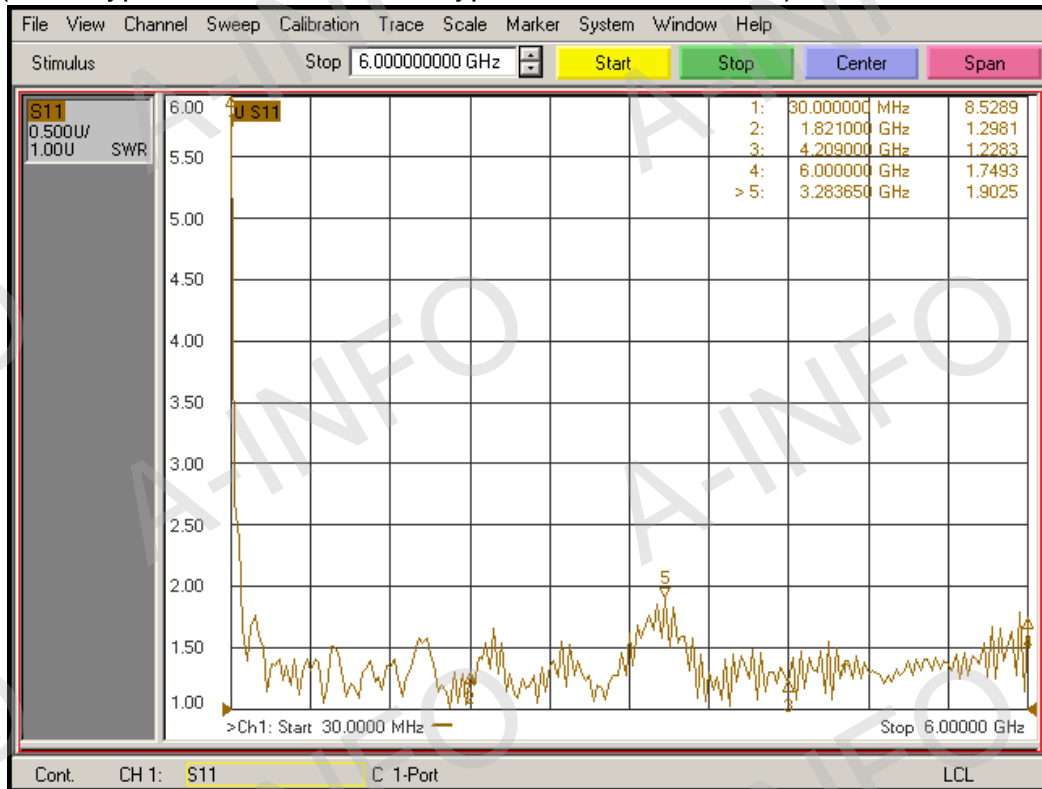
1. Gain



2. Antenna Factor



3. VSWR(5.0:1 Typ. 0.03-0.1GHz, 1.5:1 Typ./ 2.0 Max. 0.1-6GHz)



4. Pattern

